

Free Standing Gas Stove
Model FDV350



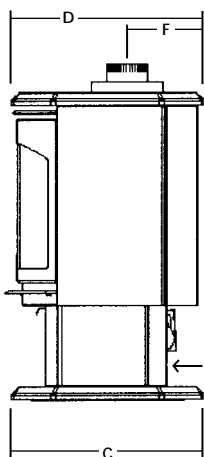
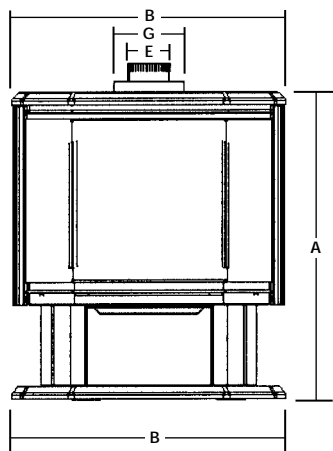
Direct Vent Gas Stove



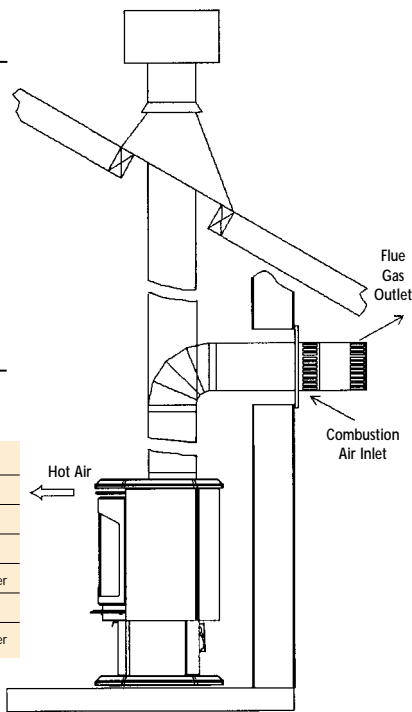
The ultimate in design, engineering & quality

The Ultimate in Free Standing Gas Stoves for New Home Construction or Renovation

Your best choice for installation anywhere throughout your home.



- A 30 3/8"
- B 27 5/16"
- C 19 1/16"
- D 19 1/16"
- E 4" diameter
- F 7 1/2"
- G 7" diameter



With a direct vent appliance you can vent either through the side wall above the unit or straight up through the roof.



When using an existing woodstove chimney, Kingsman's B-Vent Converter along with a flex liner is used to convert the direct vent system into a vented appliance.

Kingsman Industries maintains a program of continuous testing, refinement and improvements of all its products. Some aspect of units shown here may be changed at any time without notice or obligation.
 Certification: The model FDV350 is certified for USA and Canada, Certified to: ANSI Z21.88a-1999/CSA-2.33a-M99, Can/CGA 2.17-1991, CR89-001. Listed Direct Vent Gas Fired Free Standing Room Heater



Enjoy the elegance and warmth of glowing embers and dancing flames around our fibre oak log set. It is sure to be the focal point of your home. Choose from a variety of decorative options to create your own distinctive appearance and be assured of complete safety, comfort and long lasting value from a manufacturer of wood and gas fireplaces with more than 25 years of experience.

Minimum clearances to combustibles:

- 12" from side of unit
- 3" from back of unit
- 3" from side of unit in corner

Alcove installation:

- 30" depth (max.)
- 55 1/2" height (min.)
- 52 1/2" width (min.)

Model	BTU-Input	Maximum Efficiency
FDV350N	37,000-29,000	84%
FDV350LP	35,000-27,000	85%
* FV350N	37,000-29,000	77%
* FV350LP	35,000-27,000	78%

* By using our B-Vent Converter (F35BVC), the FDV350 direct stove is converted to a vented appliance.

Standard Features

- Millivolt Valve with Hi-Low heat and flame adjustment and allows operation during a power failure
- Dual burner system, with realistic flame pattern
- Heat radiating ceramic glass with panoramic view from three sides
- Direct Vent models are mobile home approved
- Approved for installation in a bedroom or bed sitting room
- Black Louver
- Fibre Oak Log Set with glowing embers

Optional Features

- Heat activated blower with variable speed control
- Brick refractory liner (3 pieces)
- Designer Black Arch Door with Ceramic Glass
- Designer Gold Arch Door with Ceramic Glass
- Gold (24 carat) Louver
- Remote Control on/off or Thermostat
- Millivolt Wall Mount Thermostat
- Programmable Millivolt Thermostat



Direct Vent Gas Stove

Printed In Canada B030



Kingsman Fireplaces

3 Winfield Way
 Winnipeg, Manitoba, Canada R2R 1V8
 Phone: (204) 632-1962 Fax: (204) 632-1960
 www.kingsmanind.com